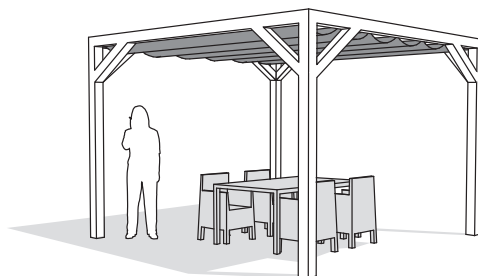



NESLING[®] THE PERFECT SHADOW

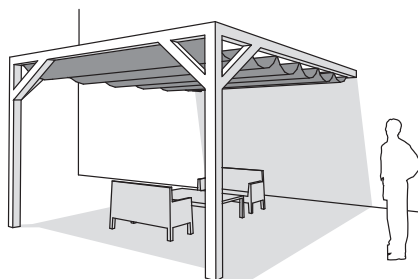
Nesling Pergola Kit

MONTAGE HANDLEIDING / ASSEMBLY INSTRUCTIONS
MONTAGEANLEITUNG / NOTICE DE POSE /
INSTRUCCIONES DE MONTAJE / INSTRUZIONI PER IL MONTAGGIO

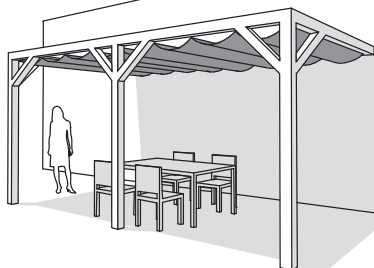
Pergola
stand-alone



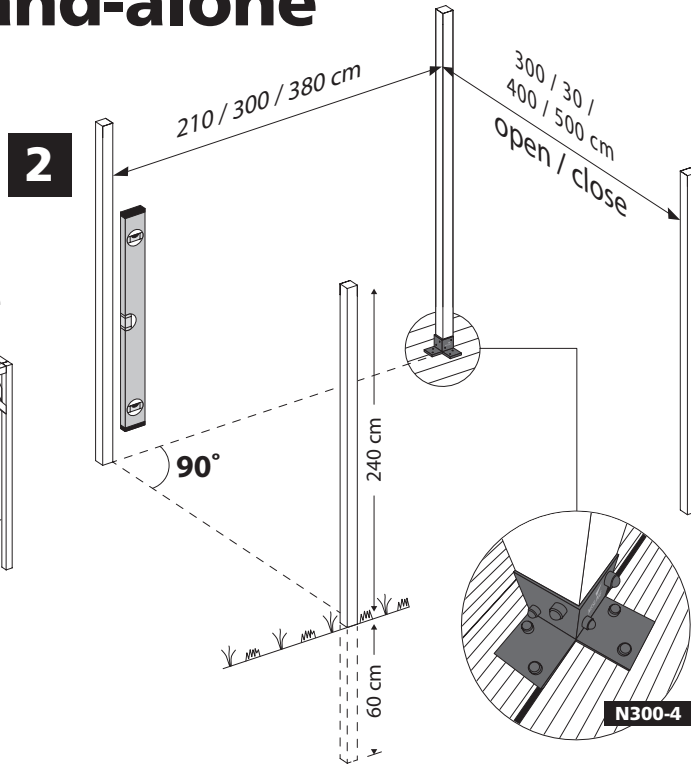
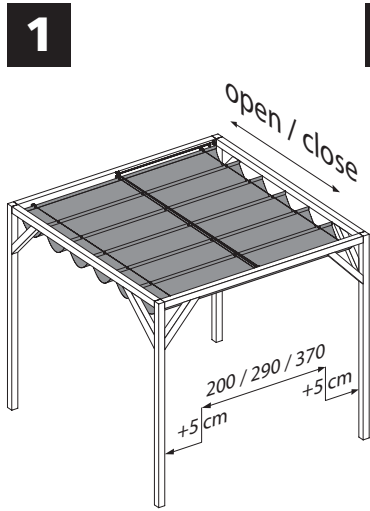
Pergola
wall 1



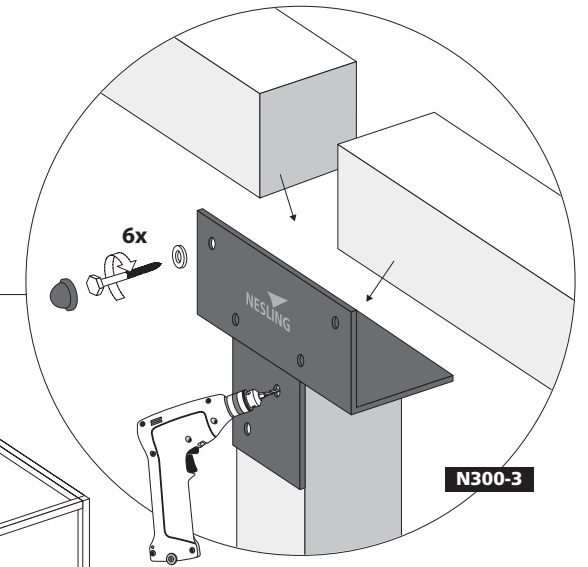
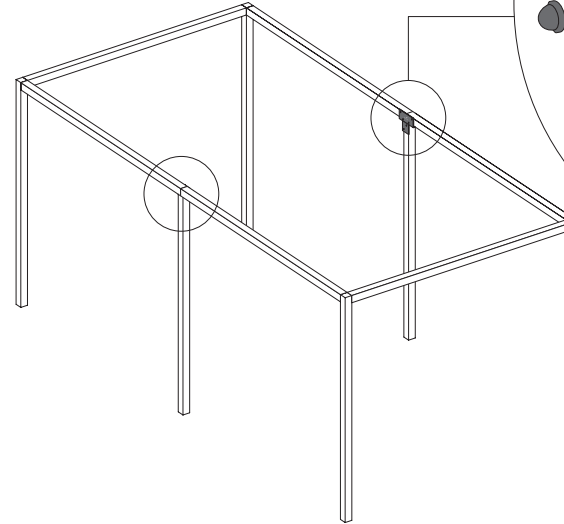
Pergola
wall 2



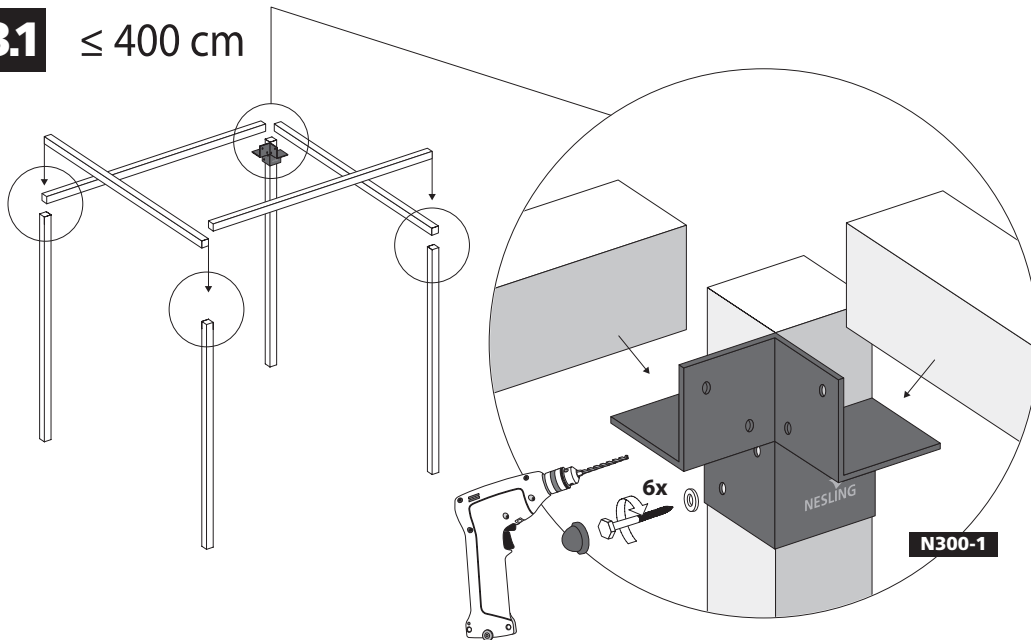
Pergola stand-alone



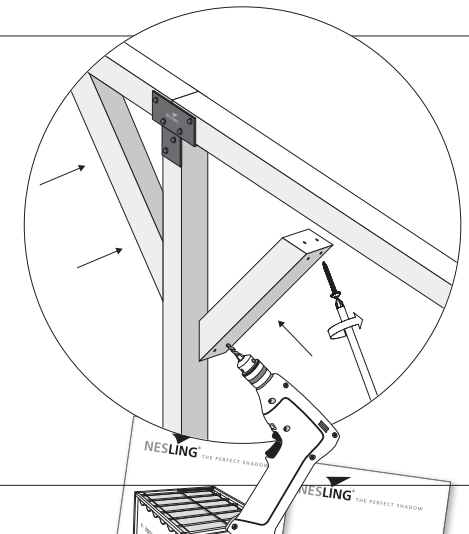
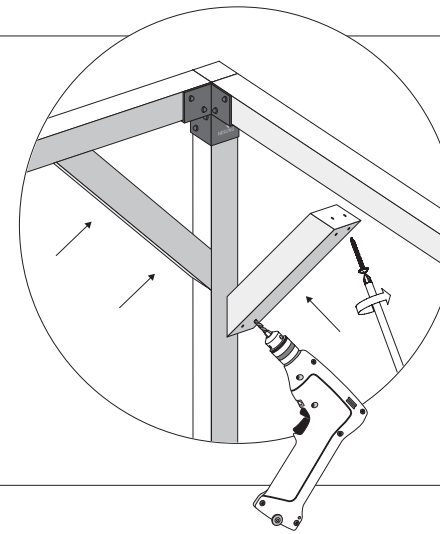
3.2 > 400 cm



3.1 ≤ 400 cm



4



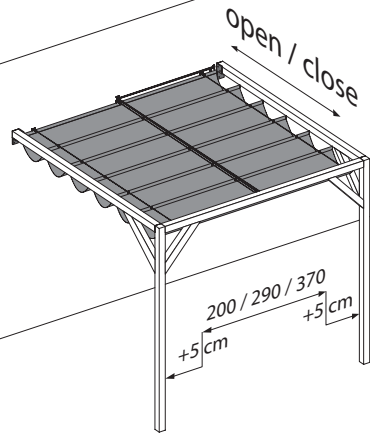
5

MONTAGE HANDLEIDING COOLFIT HARMONICA
ASSEMBLY INSTRUCTIONS COOLFIT HARMONICA

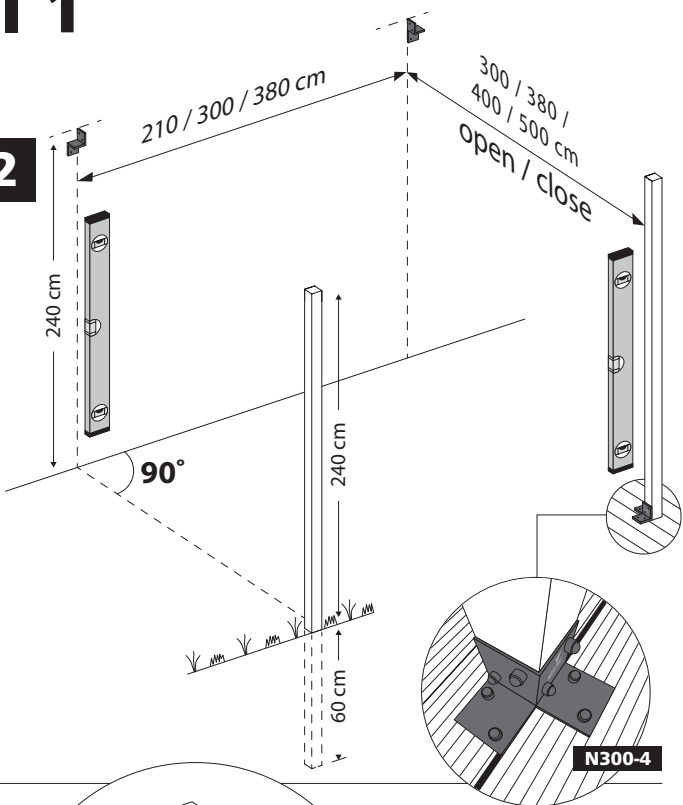


Pergola wall 1

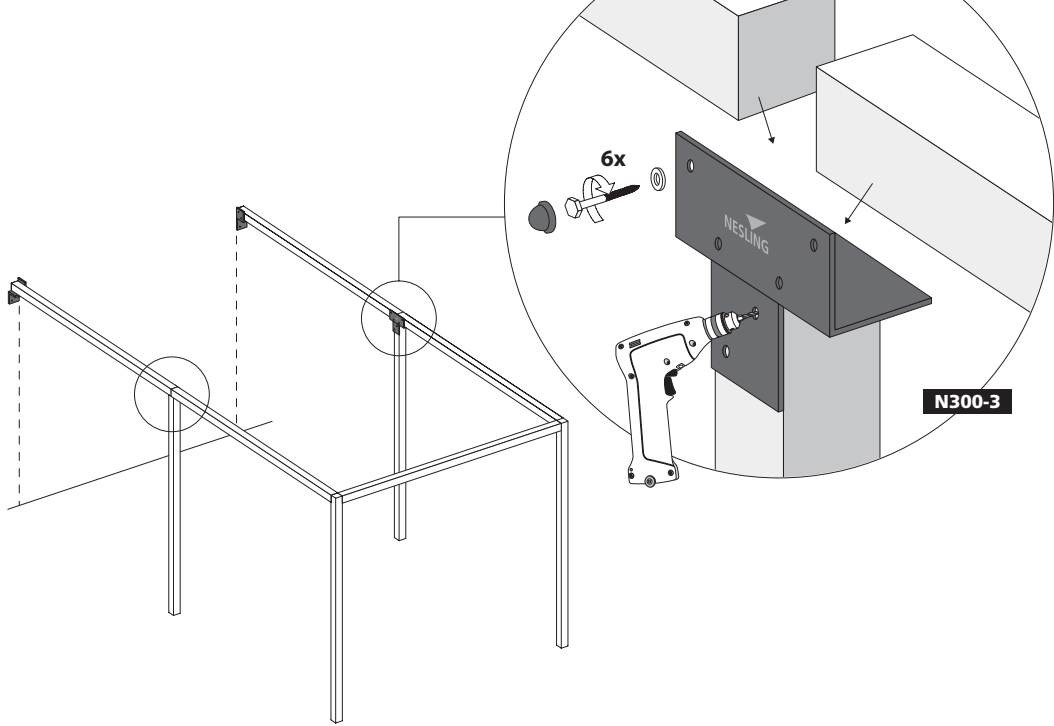
1



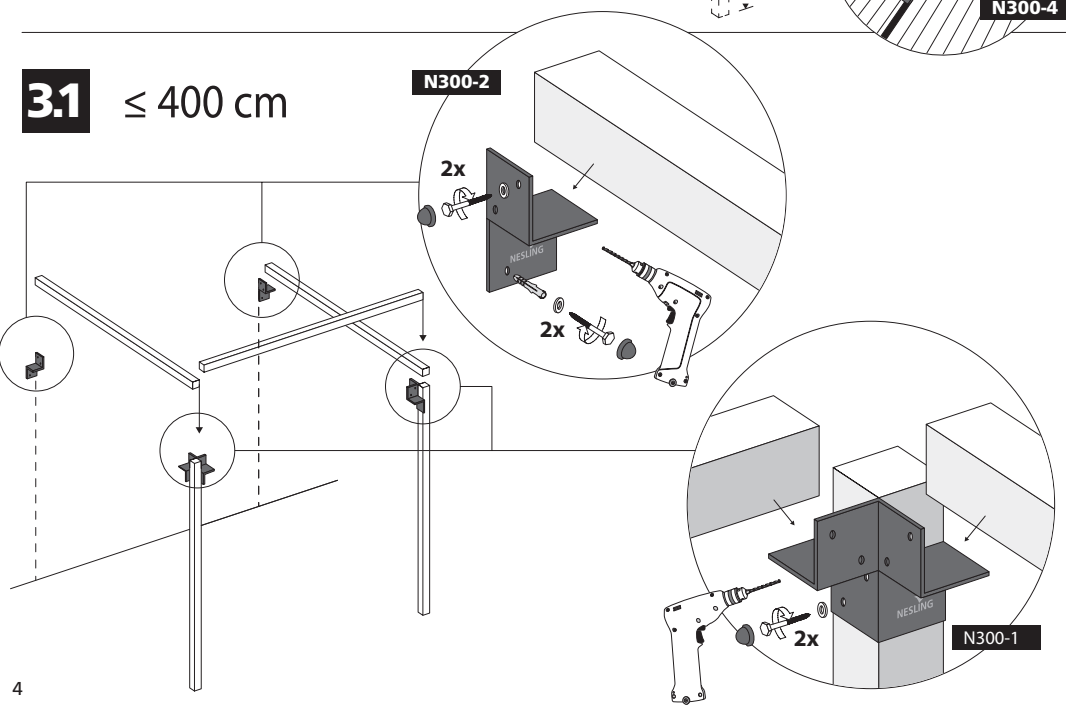
2



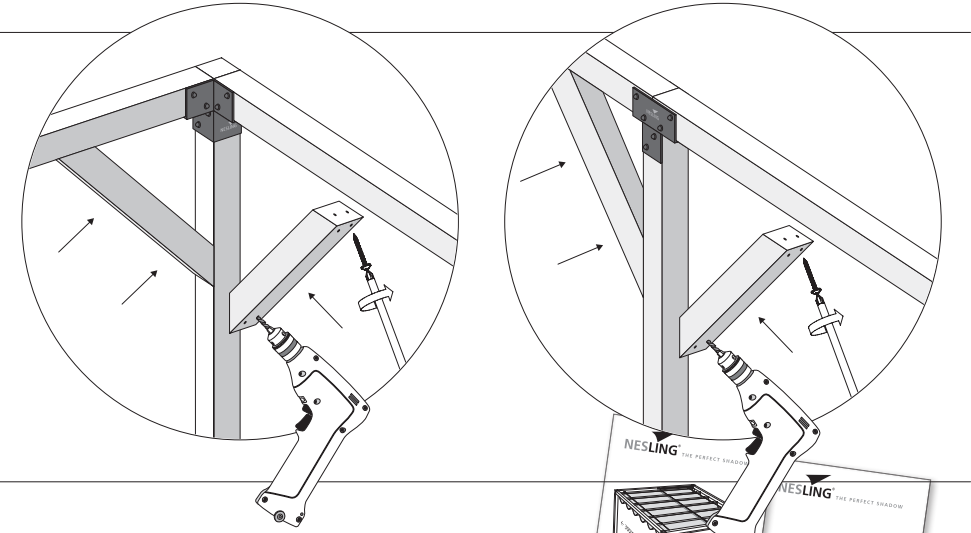
3.2 > 400 cm



3.1 ≤ 400 cm

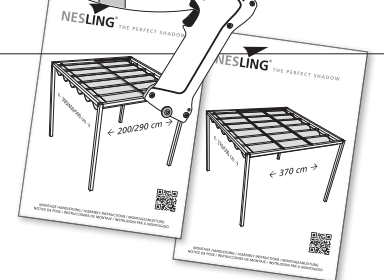


4

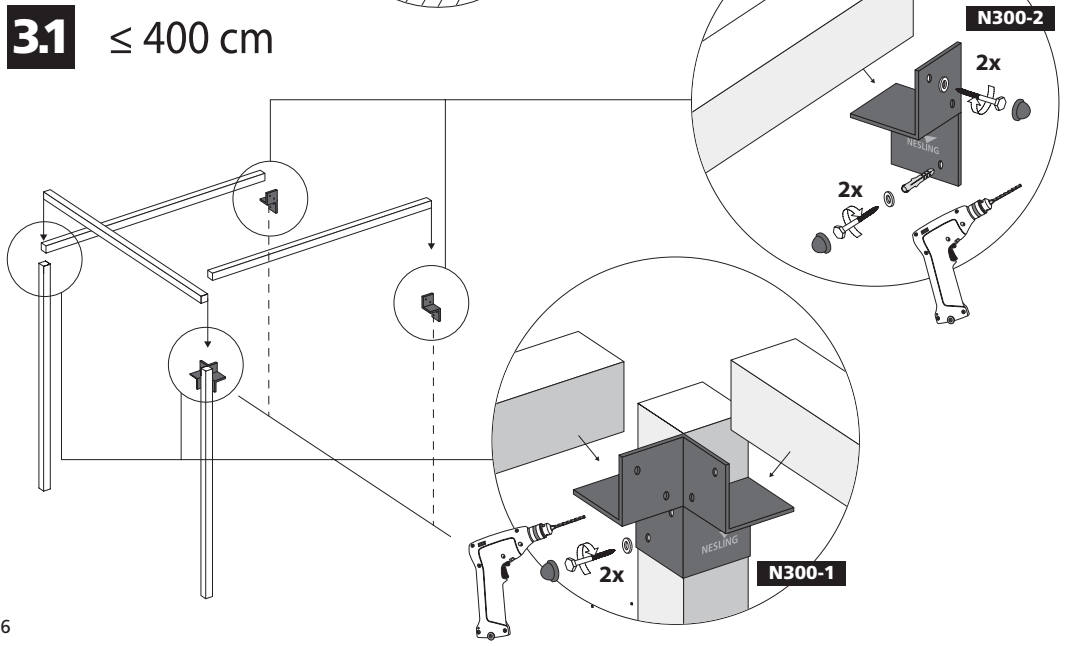
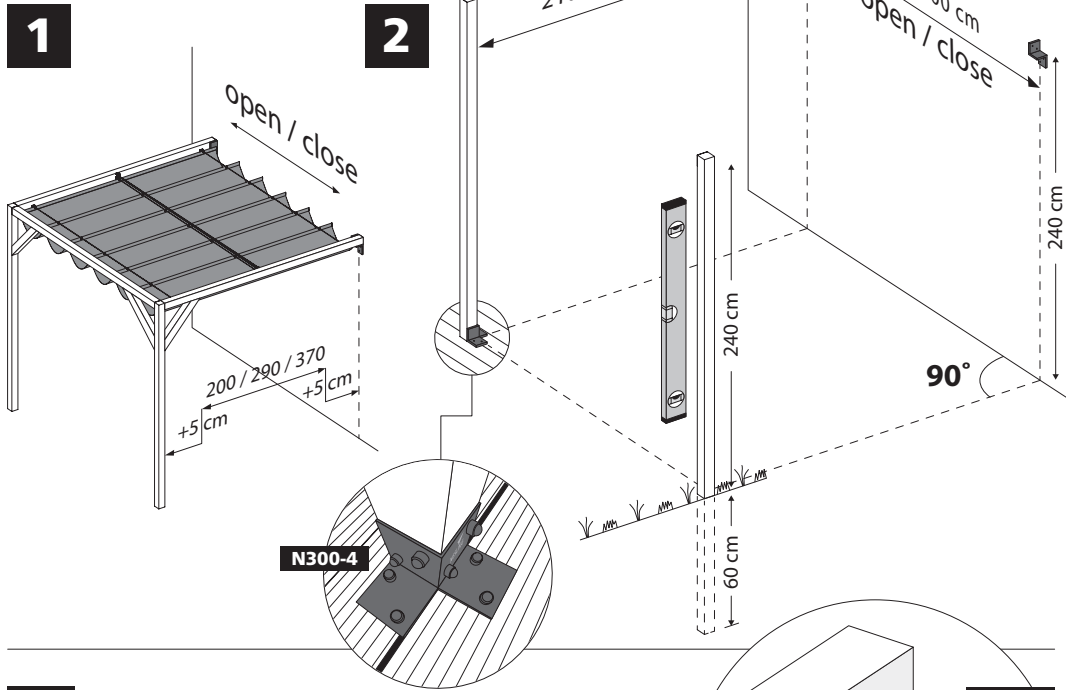


5

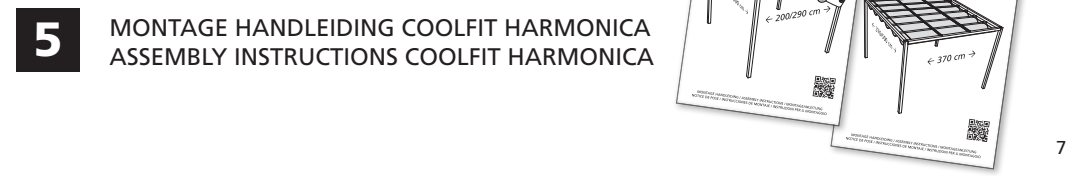
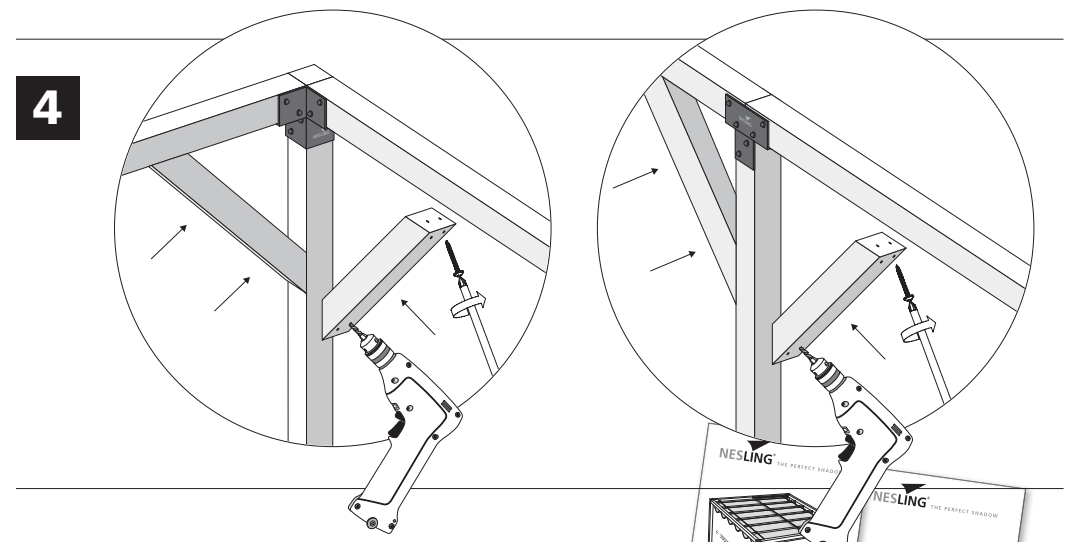
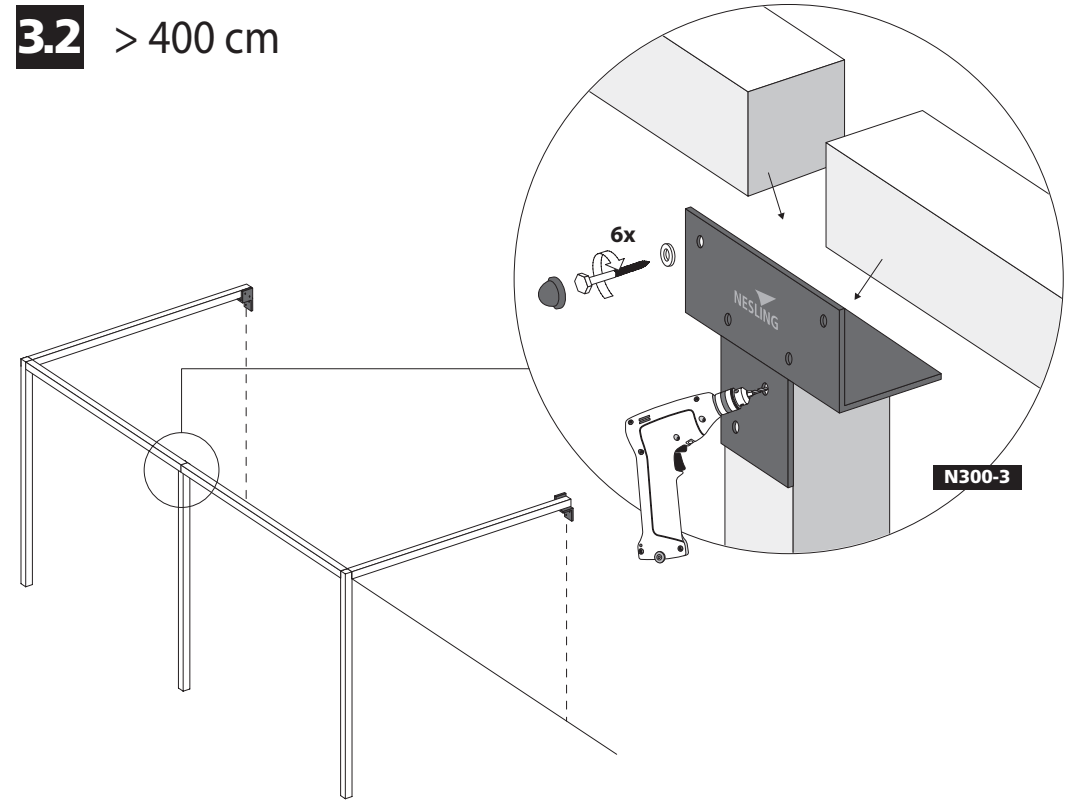
MONTAGE HANDLEIDING COOLFIT HARMONICA
ASSEMBLY INSTRUCTIONS COOLFIT HARMONICA



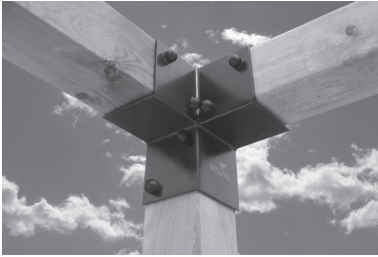
Pergola wall 2



3.2 > 400 cm



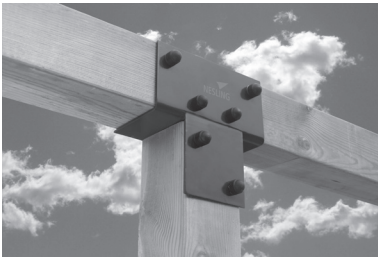
Nesling Pergola Kit



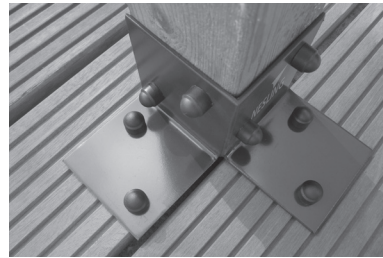
N300-1 Corner support



N300-2 Wall support



N300-3 Connection support



N300-4 Floor support

